

GROUND HALO TECH CO., LIMITED

SPECIFICATION

LED IP69K Tri-proof Light

## Product Details



## Application

- Parking place
- Tunnel / Corridor / Gallery
- Railway / Bus / MTR Station
- Warehouse / Factory
- Food/Meat processing industry
- Chicken sheds
- Livestock farm
- Gas station / Car Washes

## Features

- CE, RoHs, UL, DLC, TUV-GS, SAA approved
- IP69K IK10 protection
- Patent cylinder design, PC/PE housing + AL board + Stainless steel caps and clips
- PC material – UV Resistance
- PE material – Corrosion Resistance
- Fit for both indoor and outdoor applications
- 110lm/w or 130lm/w available
- L80B50(Ta=25°C): 75,000hrs
- 5 years warranty

## Temperature

Operating: -20 ~ +40°C

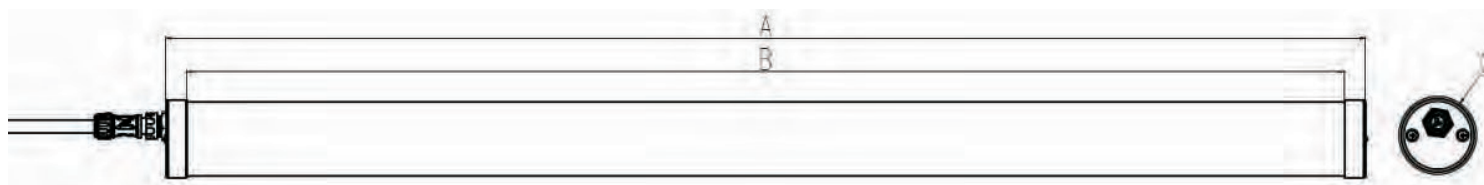
Storage: -40 ~ +85°C



## Product Details



## Dimension



length	A	B		C
———	Min.mm	Min.mm	Max.mm	Min.mm
600	600	544	547	75
1200	1200	1144	1147	75
1500	1500	1444	1447	75

## Data Sheet

Article Number	Size	Power	LEDs	Beam Angle	CRI	AC Input	DC Output	SDCM	Efficiency (±5%)	Lumen Output
----------------	------	-------	------	------------	-----	----------	-----------	------	------------------	--------------

### Standard Lumen Version

GH-P69X2-20-X	600*Ø75mm	20W	208	120°	>80	200~240V/100~277V	30~40V	<4	110lm/w	2100~2300lm
GH-P69X4-40-X	1200*Ø75mm	40W	312	120°	>80	200~240V/100~277V	30~40V	<4	110lm/w	4200~4600lm
GH-P69X5-50-X	1500*Ø75mm	50W	416	120°	>80	200~240V/100~277V	30~40V	<4	110lm/w	5250~5750lm

### Premium Lumen Version

GH-P69X2-20-X	600*Ø75mm	20W	208	120°	>80	200~240V/100~277V	30~40V	<4	130lm/w	2500~2700lm
GH-P69X4-40-X	1200*Ø75mm	40W	312	120°	>80	200~240V/100~277V	30~40V	<4	130lm/w	5000~5400lm
GH-P69X5-50-X	1500*Ø75mm	50W	416	120°	>80	200~240V/100~277V	30~40V	<4	130lm/w	6250~6750lm

Different wattage can be customized.

## Flexibility in connections

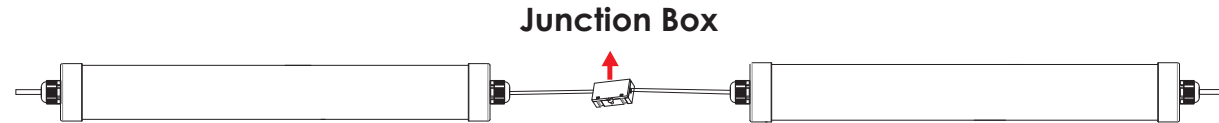
### Option A



■ Single connection

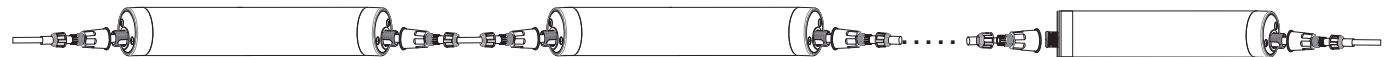


■ Series connection



Fit for single or series connection

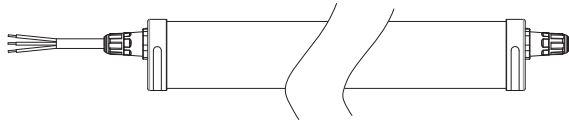
### Option B



Cable self-mounted wiring. Compatible with both single and series connection.

## Available Dimming way

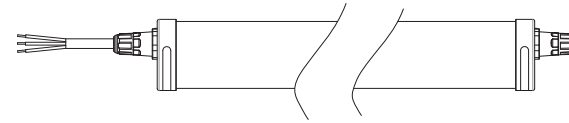
### Non Dimmable Tri-proof LED Lamp



(EU market-3 pole cable)      (US market-3 pole cable)

L:	Brown	Black
N:	Blue	White
E:	Yellow-Green	Green

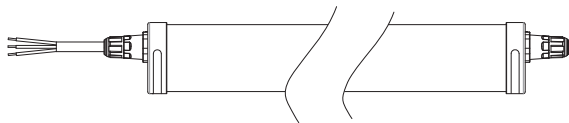
### 0/1-10V Dimmable Tri-proof LED Lamp



(EU market-5 pole cable)      (US market-5 pole cable)

L:	Brown	Black
N:	Blue	White
E:	Yellow-green	Green
DIM+:	Black	Red
DIM-:	Gray	Orange

### DALI Dimmable Tri-proof LED Lamp

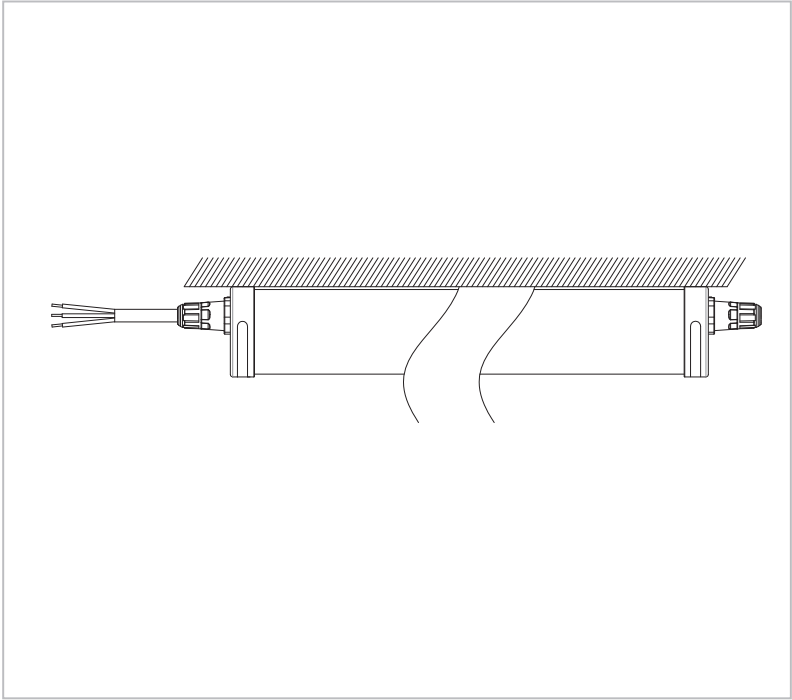


(EU market-5 pole cable)      (US market-5 pole cable)

L:	Brown	Black
N:	Blue	White
E:	Yellow-green	Green
DA:	Black	Red
DA:	Gray	Orange

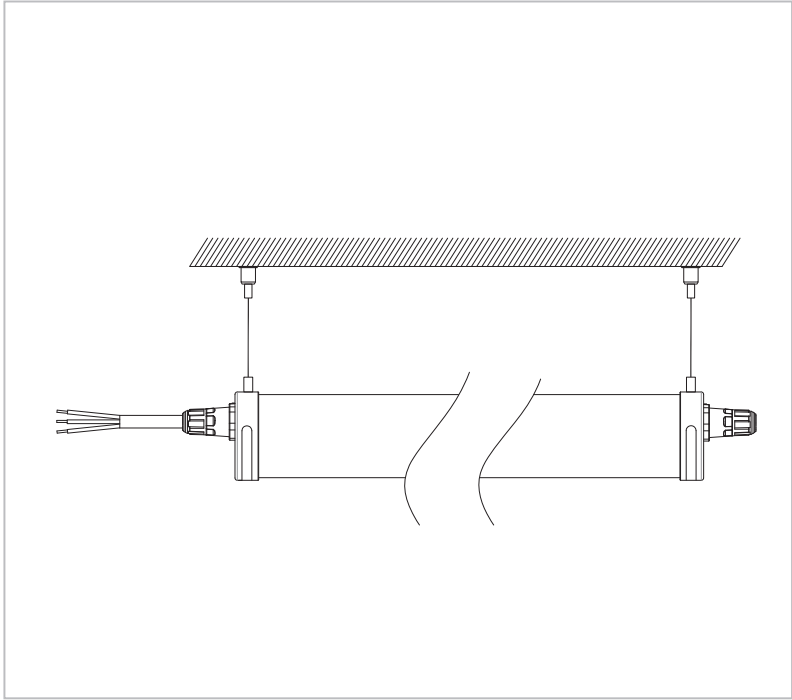
# Installation Instructions

## Ceiling Mounted Installation



\* Standard parts

## Suspended Installation

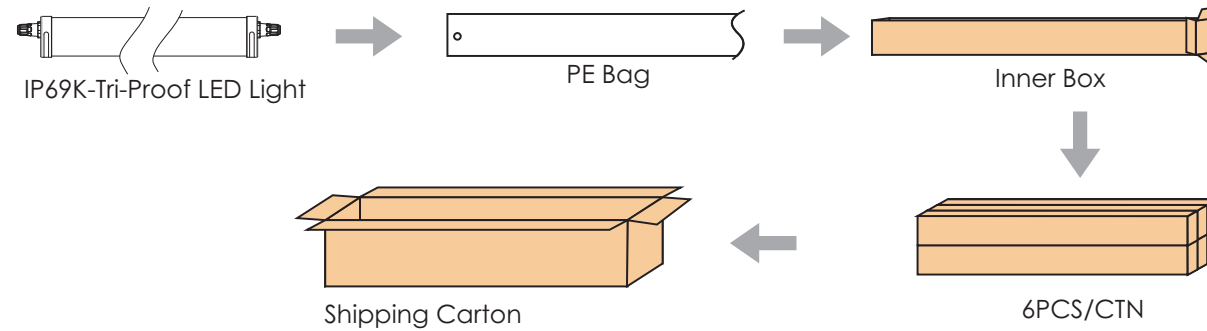


\* Suspended accessories need to be paid additionally



## Package

Item code	Dimension	Carton Size	N.W./PC	G.W./CTN	Maximum Loading of		
					20'GP	40'GP	40'HQ
GH-P69X2-20-X	690*74*78mm	700*165*250mm	1.2kg	9kg	1050CTNs	2249CTNs	2475CTNs
GH-P69X4-40-X	1290*74*78mm	1300*165*250mm	2.2kg	16kg	556CTNs	1164CTNs	1344CTNs
GH-P69X5-50-X	1590*74*78mm	1600*165*250mm	2.7kg	20kg	452CTNs	942CTNs	452CTNs



**Reminding:** Do not install this lamp into water directly to avoid any potential safety risks caused by AC input.

All the above information is subject to the final interpretation of Ground Halo Technology.